



- ✓ Convenient twist mount, no fasteners
- ✓ One or two independent electrical poles

OPERATION

Delta's seat switches are utilized to sense operator presence. When a seated operator compresses the seat foam, the switch is actuated. Seat safety switches are easy to integrate into your application and designed to last in harsh surroundings. Typical applications include construction equipment, material handling equipment, outdoor power equipment, forklifts, rental equipment, agricultural equipment, ATV's, UTV's and other applications where operator presence detection is necessary.

SPECIFICATIONS

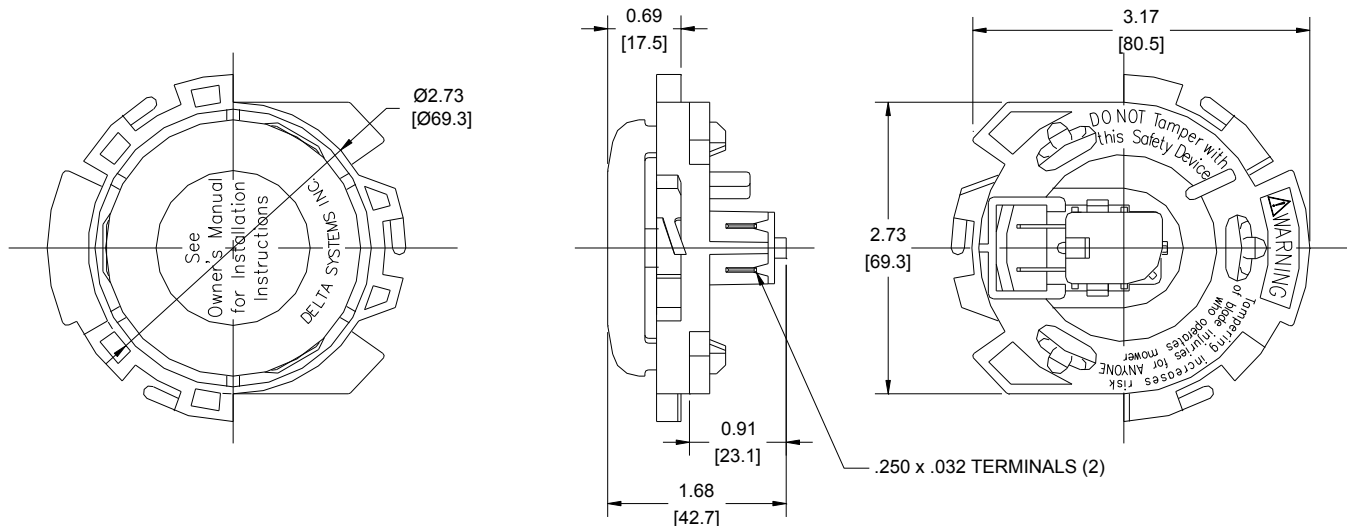
Property		
Maximum Voltage, VDC		18
Maximum Current @ 12-14 VDC, A		3
Pre-travel, inches		.040-.150
Contact Resistance @ Max Current, mΩ		83.3
Cycle Life @ Max Load	Inductive	10,000
	Resistive	75,000
Installation Temperature, °F		60 to 100
Operating/Storage Temperature, °F		-20 to +100

ENVIRONMENTAL RATINGS

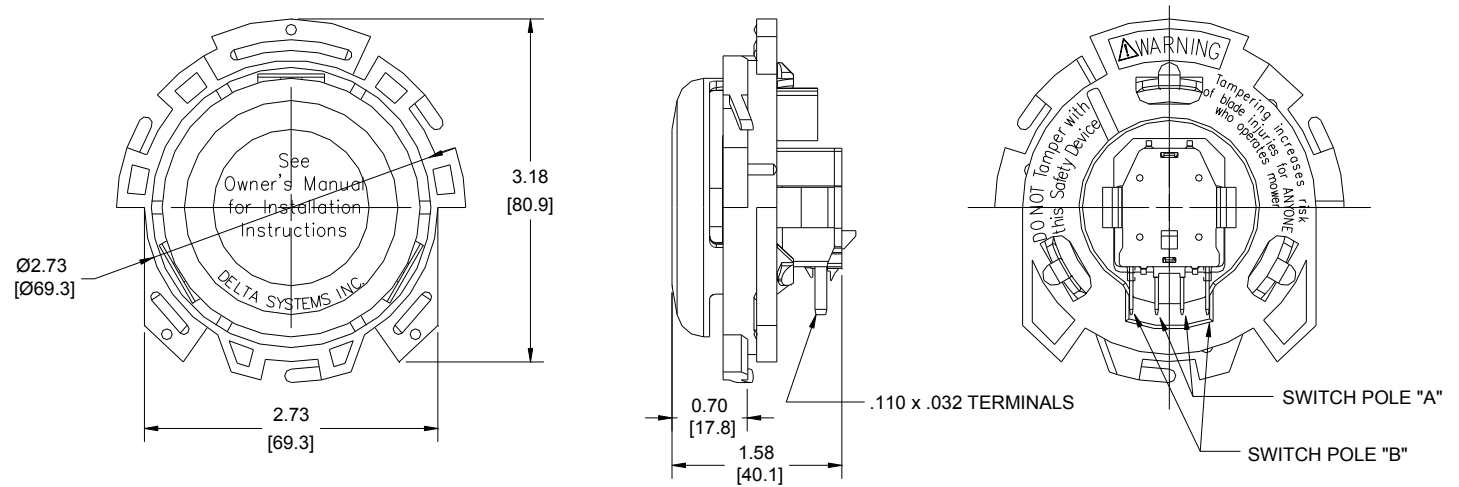
Exposure	Specification
Salt Fog	ASTM B117, 96 Hours
Chemical Resistance	ASTM Ref C Fuel, Diesel Fuel, Oil, Antifreeze, Freon, Paint, Latex, Gasoline, Gas with 10% ethanol, WD-40, Battery Acid, Ammoniated Glass Cleaner, Kerosene, Go Jo, Fertilizer

DIMENSIONS

6500 Series



6544 Series



AVAILABLE CONFIGURATIONS

P/N	Pole A	Pole B	Actuation Force	Connector
6500-01	NO		5.0 +/- 1.5 @ .250"	N/A (Terminals only)
6500-02	NO		4.0 +/- 1.0 @ .300"	Delta 96525 or 96526
6500-03	NO		5.0 +/- 1.5 @ .250"	Delta 96525 or 96526
6500-03FR*	NO		5.0 +/- 1.5 @ .250"	Delta 96526
6500-04	NO		4.0 +/- 1.0 @ .300"	Delta 96525 or 96526
6500-04FR	NO		5.0 +/- 1.5 @ .250"	Delta 96525 or 96526
6500-05	NO		5.0 +/- 1.5 @ .250"	Delta 96525 or 96526
6500-51	NC		5.0 +/- 1.5 @ .250"	N/A (Terminals only)
6500-52	NC		5.0 +/- 1.5 @ .250"	Delta 96525
6500-52FR*	NC		5.0 +/- 1.5 @ .250"	Delta 96525
6500-54	NC		4.0 +/- 1.0 @ .300"	Delta 96525
6500-56	NC		4.0 +/- 1.0 @ .300"	Delta 96525
6500-57	NO		5.0 +/- 1.5 @ .250"	Delta 96525
6544-02	NO	NO	2.5 +/- 1.0 @ .250"	Delta 96546
6544-03	NC	NC	2.5 +/- 1.0 @ .250"	Delta 96545 or 96546
6544-51	NC		2.5 +/- 1.0 @ .250"	Delta 96545 or 96546
6544-53	NC	NO	2.5 +/- 1.0 @ .250"	Delta 96545 or 96546
6544-53FR*	NC	NO	4.6 +/- 1.7 @ .400"	Delta 96546
6544-602	NO	NO	5.0 +/- 1.5 @ .250"	Delta 96546
6544-603	NC	NC	5.0 +/- 1.5 @ .250"	Delta 96545 or 96546
6544-653	NC	NO	5.0 +/- 1.5 @ .250"	Delta 96545 or 96546
6544-683	NC	NC	5.0 +/- 1.5 @ .250"	Delta 96549
6544-902	NO	NO	7.0 +/- 1.5 @ .250"	Delta 96546
6544-903	NC	NC	7.0 +/- 1.5 @ .250"	Delta 96546
6544-983	NC	NC	7.0 +/- 1.5 @ .250"	Delta 96549

* UL Recognized Component to UL583 (Listing # AU3028)

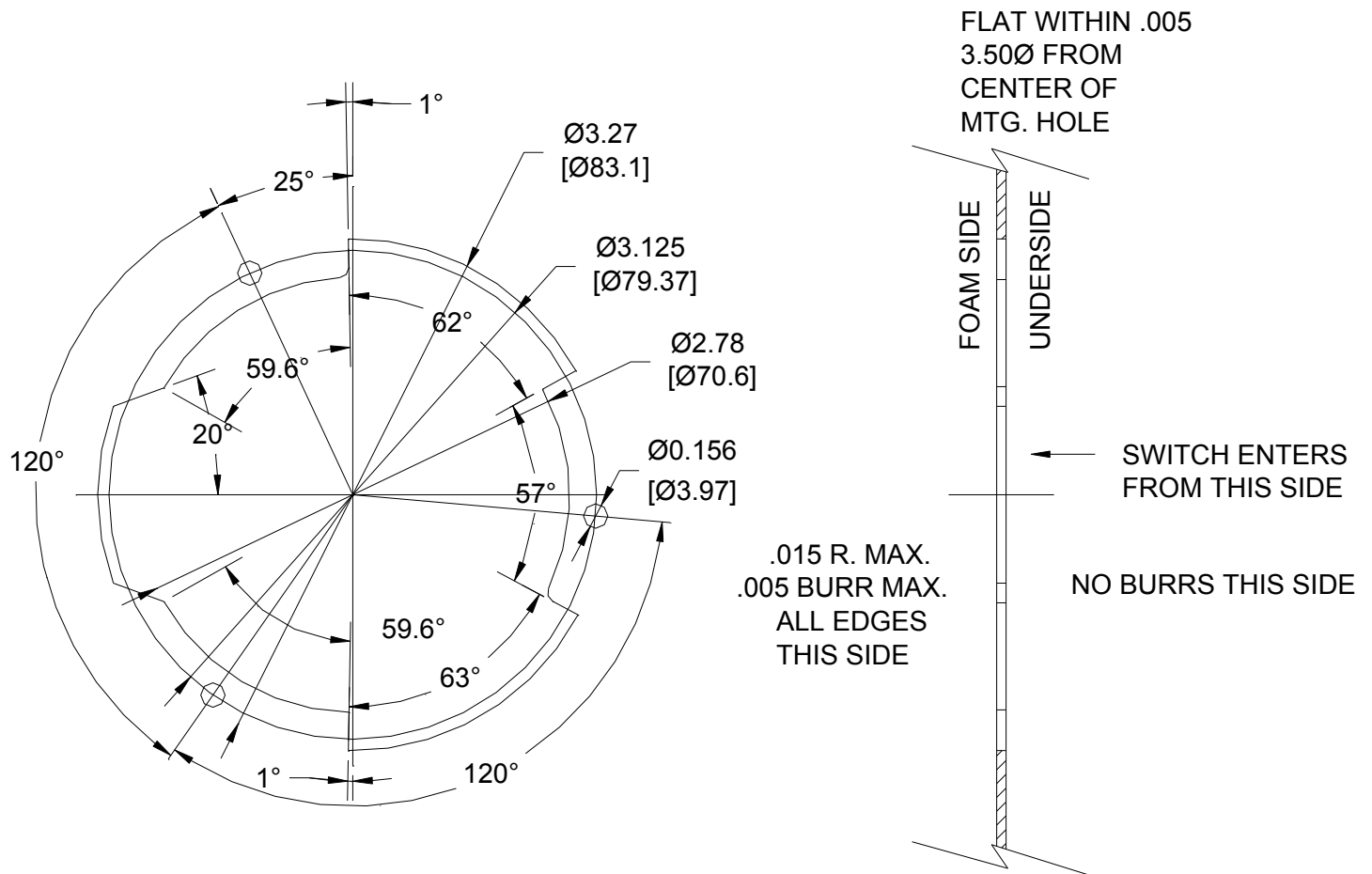
CONNECTION

6500 series switches connect to Delta P/N 96525 or 96526 (see Accessories section). Insertion force is up to 20 lbs. Delta connectors use Delphi terminals.

6544 series switches connect to Delta P/N's 96545 or 96546 (see Accessories section). Connection effort is 10 to 22 lbs. Delta connectors use Delphi terminals.

MOUNTING

Locks in place with a 55° rotation. Recommended panel thickness is .040-.070. Recommended cutout dimensions are:



ACCESSORIES

Item #	Manufacturer	Description
96545(-BK/-GY)	Delta Systems	Connector Housing, Shorting
96546(-BK/-GY)	Delta Systems	Connector Housing, Non-Shorting
12034046	Delphi	Terminal, 18-20 Gage Wire
12066214	Delphi	Terminal, 14-16 Gage Wire
96525-GY	Delta Systems	Connector Housing, Shorting
96526(-GY/-OL)	Delta Systems	Connector Housing, Non-Shorting
96526A	Delta Systems	Connector Housing, Non-Shorting
12124517	Delphi	Terminal, 18-20 Gage Wire
12124513	Delphi	Terminal, 14-16 Gage Wire

Note: Life expectancy and performance are largely dependent on application. It is the user's responsibility to determine suitability of this product for the application. This information is intended as a guide for proper application.