



- ✓ Rugged and ergonomic
- ✓ 5A and 10A current ratings
- ✓ Simple and cost effective snap-in installation
- ✓ Two and three positions
- ✓ Up to three independent poles
- ✓ Up to two throws on two of three poles
- ✓ Multiple standard knob colors/graphics available
- ✓ Custom knob colors/graphics available (minimum order required)
- ✓ Wiping contacts prevent carbon buildup and increase life

Operation

Delta's push-pull switches control switching of up to three independent circuits. Typical applications include outdoor power equipment and industrial equipment.

Specifications

Property	Model 6201	Model 6202	Model 6271	Model 6272
Current Rating @ 14V (A)	5	10	5	5
Contact Resistance @ Rated Load, New (mΩ)	50			
Life @ Rated Load (cycles)	Inductive	40,000	N/A	40,000
	Resistive	100,000		
Total Travel (inches)	.23	.23	.38	.27
Installation Temperature (°F)	60 to 100			
Storage/Use Temperature (°F)	-30 to 150			
Up Force, New, Min/Max (lbs)	7.5/15.5	7.5/18.3	7.5/14.5	6.5/10.5
Down Force, New, Min/Max (lbs)	5.5/11.3	6.5/11.5	6.5/10.5	5.5/9.5
Orthogonal Load (lbs)	8			

Environmental Ratings

Exposure	Specification
Dust / Water Ingress	IEC 60529, IP53
Salt Fog	ASTM B117, 96 Hours
Chemical Resistance	ASTM Ref C Fuel, Diesel Fuel, Oil, Antifreeze, Paint, Latex, Gasoline, Gas with 10% ethanol, WD-40, Battery Acid, Ammoniated Glass Cleaner, Kerosene, Go Jo, Fertilizer

Available Configurations

Model 6201 – Non-momentary up, non-momentary down

Part Number	Electrical Configuration	Knob Style	Knob Color	Current Rating, Amps	# Positions	Graphic	Graphic Color
6201-204	NO\ DT	A	Red	5	2	A	White
6201-206	NC\ DT	A	Red	5	2	B	White
6201-207	\ DT\ DT	A	Yellow	5	2	None	-
6201-208	\ DT\ DT	A	Black	5	2	None	-
6201-209	NC\ DT	A	Red	5	2	A	White
6201-210	\ DT\ DT	A	Yellow	5	2	B	Black
6201-211	\ DT\ DT	A	Black	5	2	B	Silver
6201-212	NC\ DT	A	Yellow	5	2	A	Black
6201-218	\ DT\ DT	A	Black	5	2	A	Silver
6201-219	NC\ DT	A	Yellow	5	2	B	Black
6201-303	NO\ DT\ DT	A	Black	5	2	A	White
6201-308	NC\ NO\ DT	A	Black	5	2	A	White
6201-313	NO\ DT\ NC	A	Black	5	2	A	Silver
6201-315	NO\ DT\ DT	A	Yellow	5	2	A	Black
6201-316	NO\ DT\ DT	A	Red	5	2	A	White
6201-316G	NO\ DT\ DT	A	Red	5	2	A	White
6201-318	NO\ DT\ DT	A	Red	5	2	B	White
6201-320	NO\ DT\ DT	B	Red	5	2	None	-
6201-321	NO\ DT\ DT	B	Red	5	2	C	White
6201-322	NC\ DT\ DT	B	Red	5	2	C	White
6201-324	NO\ DT\ DT	B	Yellow	5	2	None	-
6201-325	NC\ DT\ DT	B	Yellow	5	2	None	-
6201-331	NO\ DT\ DT	B	Black	5	2	D	White
6201-332	NC\ DT\ DT	B	Black	5	2	D	White
6201-340	NO\ DT\ DT	A	Red	5	2	F	White
6201-341	NO\ DT\ DT	A	Yellow	5	2	B	Black
6201-342	NC\ DT\ DT	B	Yellow	5	2	C	Black
6201-348	NO\ DT\ DT	A	Black	5	2	H	White
6201-350	NC\ DT\ DT	B	Red	5	2	None	-
6201-353	NC\ DT\ DT	B	Red	5	2	None	-
6201-358	NC\ DT\ DT	A	Yellow	5	2	B	Black

Model 6202 – Non-momentary up, non-momentary down

Part Number	Electrical Configuration	Knob Style	Knob Color	Current Rating, Amps	# Positions	Graphic	Graphic Color
6202-012B	NO\DT\DT	C	Black	10	2	B	White
6202-022A	NO\DT\DT	C	Red	10	2	A	White
6202-022B	NO\DT\DT	C	Red	10	2	B	White
6202-031B	NO\DT\DT	C	Yellow	10	2	B	Black
6202-041A	NO\DT\DT	C	Pink	10	2	A	Black
6202-122A	NC\DT\DT	C	Red	10	2	A	White
6202-122B	NC\DT\DT	C	Red	10	2	B	White
6202-131A	NC\DT\DT	C	Yellow	10	2	A	Black

Model 6271 – Momentary up, non-momentary up, non-momentary down

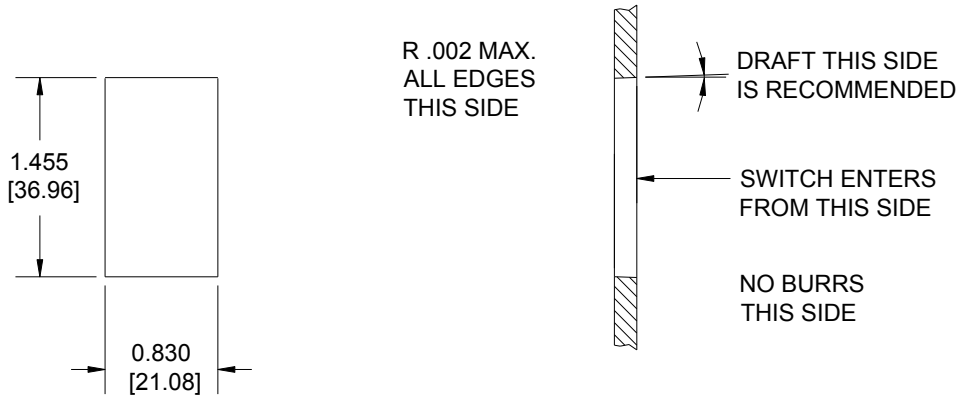
Part Number	Electrical Configuration	Knob Style	Knob Color	Current Rating, Amps	# Positions	Graphic	Graphic Color
6271-305	NO\DT\DT	B	Red	5	3	G	White

Model 6272 – Momentary up, non-momentary down

Part Number	Electrical Configuration	Knob Style	Knob Color	Current Rating, Amps	# Positions	Graphic	Graphic Color
6272-201	NO\-\DT	A	Black	5	2	E	White

Recommended Mounting

All models use a snap-in mounting. Minimum retention force is 40 lbs.



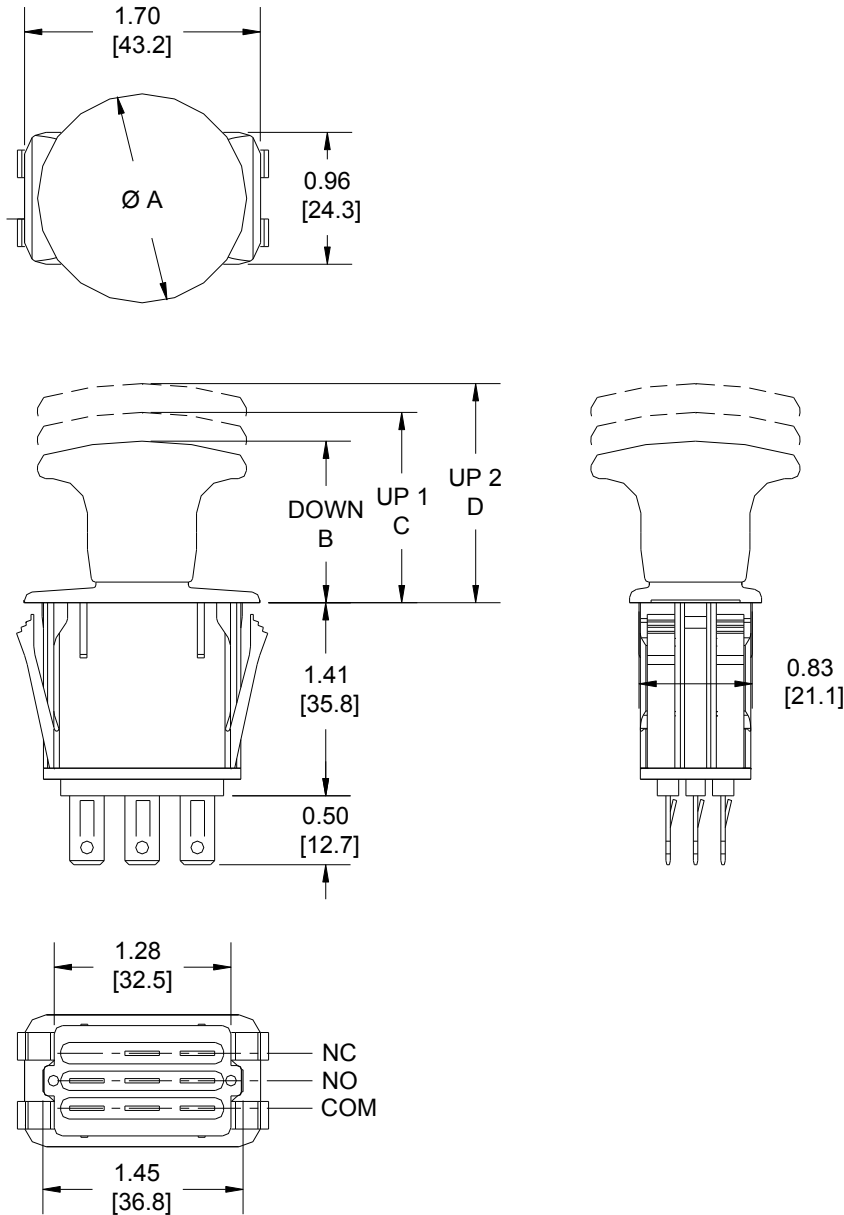
Mounting panel thickness, including paint, overlays, and/or any other layers applied between switch and panel: .055*, .085*, .105, .135, and .165.

* Requires retainer (see Accessories section)

Connection

All models have integral .032 x .250 blade terminals that mate with standard 1/4" female terminals. It is recommended to use a Delta Systems connector housing with the terminals (see Accessories section). Connector insertion force is up to 10 pounds per terminal when using Delphi 56 Series terminals.

Dimensions



Model	Knob Style	Dim A	Dim B	Dim C	Dim D
6201	A	1.50"	1.15"	1.38"	N/A
6201	B	1.25"	1.15"	1.38"	N/A
6202	C	1.40"	1.16"	1.42"	N/A
6271	B	1.25"	1.13"	1.37"	1.51"
6272	A	1.50"	1.17"	1.44"	N/A

Knob Styles



Style A
1.5" Round

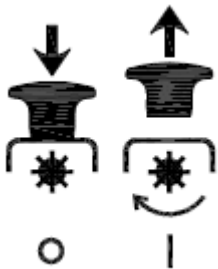


Style B
1.25" Round

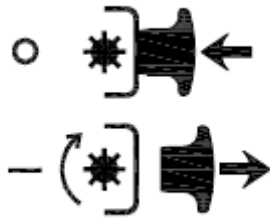


Style C
1.4" Round

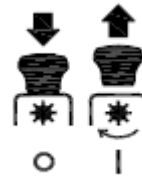
Graphics



A
EP010, EP057



B
EP011, EP061



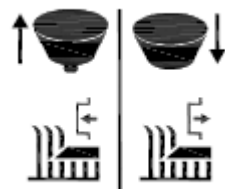
C
EP016



D
EP013



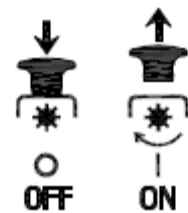
E
EP017



F
EP022



G
EP025



H
EP044

Accessories

Item #	Manufacturer	Description
972301	Delta Systems	Retainer
972305	Delta Systems	Connector Housing (NC Pole A)
972306	Delta Systems	Connector Housing (NO Pole A)

Note: Life expectancy and switch performance are largely dependent on application. It is the user's responsibility to determine suitability of this product for the application. This information is intended as a guide for proper application.