

- ✓ Snap mount configurations allow for quick installation (top/front mount and bottom/reverse mount versions)
- ✓ One or two independent electrical poles
- ✓ Wiping-action internal contacts self-clean to prevent carbon buildup and increase life

OPERATING

Delta's plunger switches are used in rugged environments to sense the position of mechanical linkages and controls.

SPECIFICATIONS

Property	6700, 6750 Series	6710 Series
Total Travel, inches	.460	.290
Current Rating @12-14V, A		3
Life @ Rated Load, Cycles	Inductive Resistive	10,000 75,000
Operating Temperature, °F		-20 to +150

ENVIRONMENTAL RATINGS

Exposure	Specification
Salt Fog	ASTM B117, 96 Hours
Chemical Resistance	ASTM Ref C Fuel, Diesel Fuel, Oil, Antifreeze, Freon, Paint, Latex, Gasoline, Gas with 10% ethanol, WD-40, Battery Acid, Ammoniated Glass Cleaner, Kerosene, Go Jo, Fertilizer

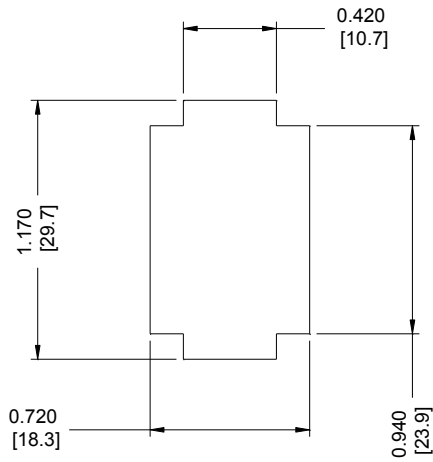
AVAILABLE CONFIGURATIONS

Part Number	Electrical Configuration	Mounting	Mating Connector	Environmental Rating
6700-01B	NO/NC	Snap, Top/Bottom	Delphi 2977048	Unsealed
6700-51B	NC/NC	Snap, Top/Bottom	Delphi 2977048	Unsealed
6700-30	NO	Snap, Top	Delphi 2973872	Unsealed
6700-31	NC	Snap, Top	Delphi 2973872	Unsealed
6700-50A	NO/NO	Snap, Top	Delphi 2977048	Unsealed
6700-50B	NO/NO	Snap, Top/Bottom	Delphi 2977048	Unsealed
6710-01B	NO/NC	Snap, Top/Bottom	Delphi 2977048	Splash-proof Plunger
6710-50B	NO/NO	Snap, Top/Bottom	Delphi 2977048	Splash-proof Plunger
6710-30	NO	Snap, Top	Delphi 2973872	Splash-proof Plunger
6710-31	NC	Snap, Top	Delphi 2973872	Splash-proof Plunger
6750-01B	NO/NC	Snap, Top/Bottom	Delphi 2977048	Unsealed
6750-51B	NC/NC	Snap, Top/Bottom	Delphi 2977048	Unsealed

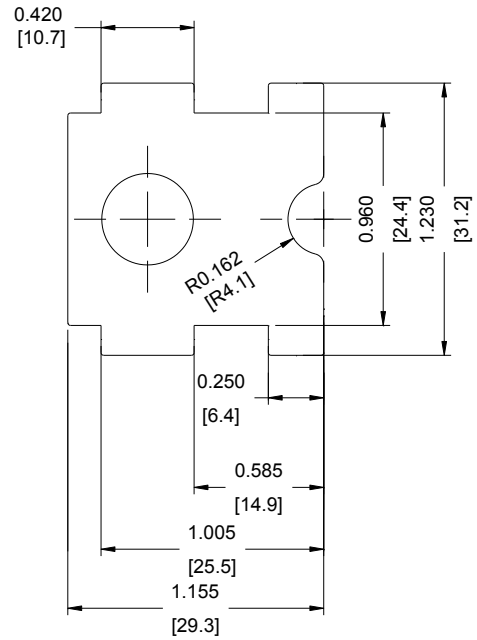
Slash-proof switches have an elastomer boot covering the opening to the switch at the plunger

MOUNTING

TOP MOUNT PANEL CUT OUT



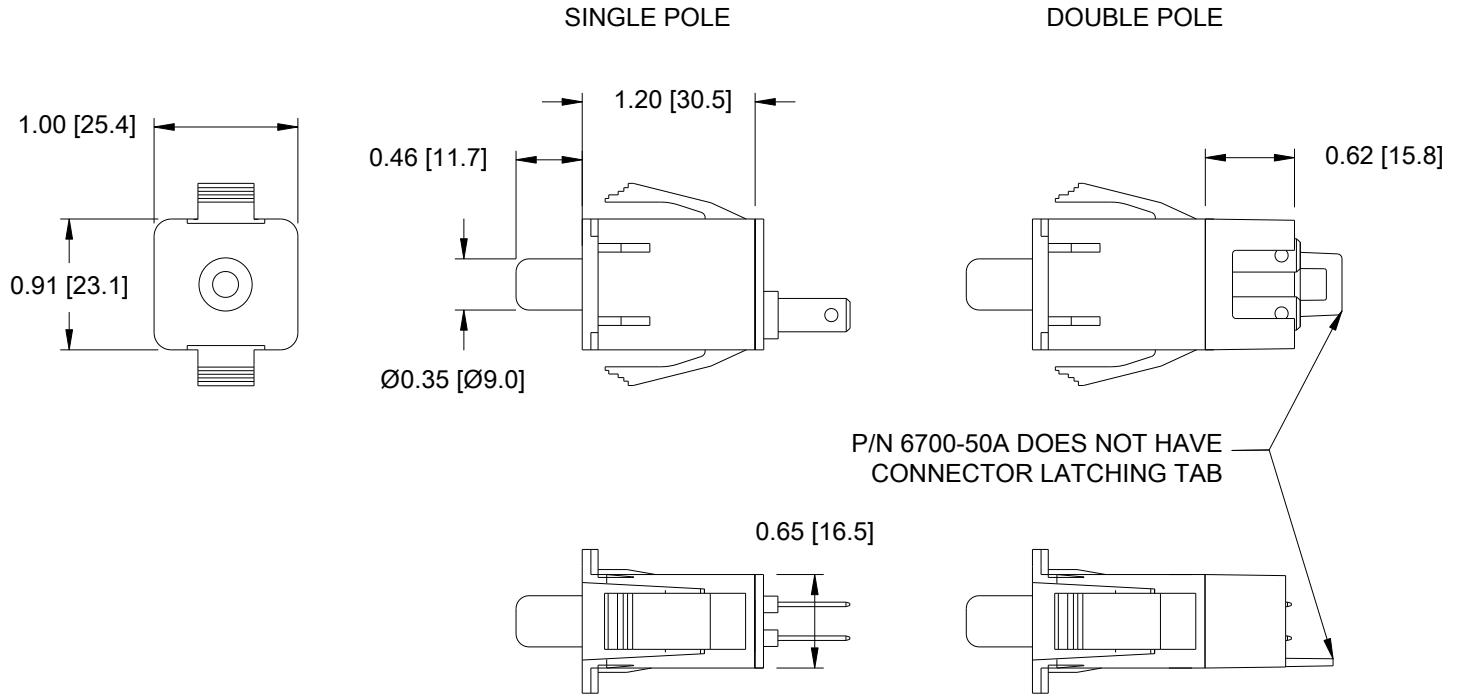
BOTTOM MOUNT PANEL CUT OUT



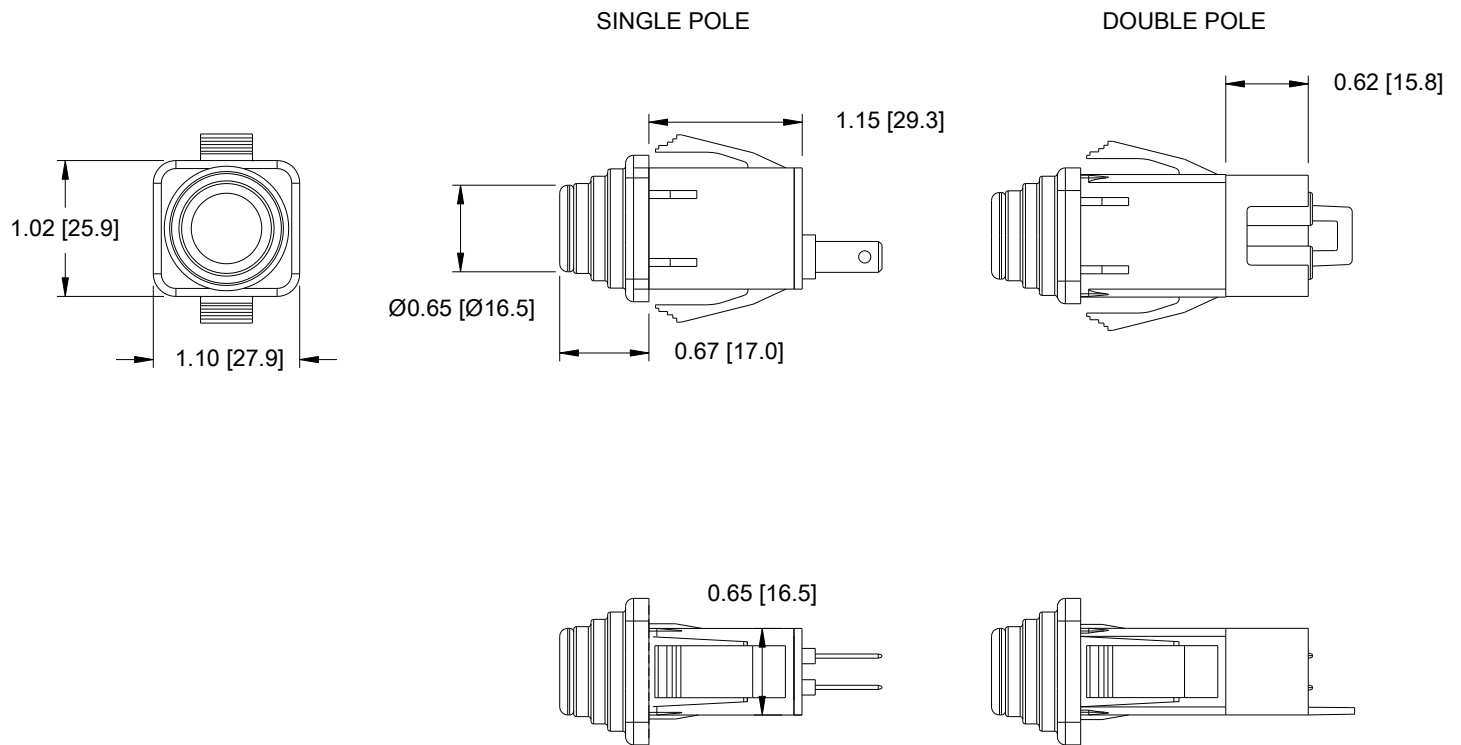
Snap wings accommodate panel thicknesses of .055, .120, .160, and .190 for top mount. Panels less than 11 gauge are accommodated for bottom mount.

DIMENSIONS

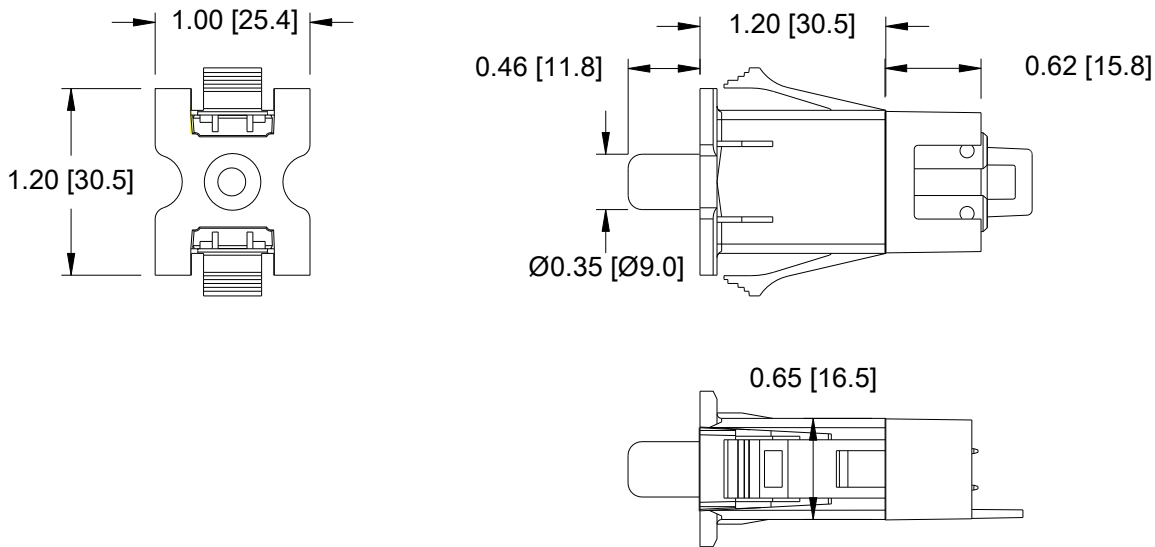
6700 Series



6710 Series



6750 Series



ACCESSORIES

Item #	Manufacturer	Description
9905	Delta Systems	Protective Cover

Note: Life expectancy and performance are largely dependent on application. It is the user's responsibility to determine suitability of this product for the application. This information is intended as a guide for proper application.