



- ✓ Manufactured of corrosion and chemical resistant materials to extend switch life
- ✓ Simple snap mount configuration that allows for quick installation
- ✓ One or two independent poles
- ✓ Wiping-action internal contacts self-clean to prevent carbon buildup and increase life

OPERATION

Delta's plunger switches are used in rugged environments to sense the position of mechanical linkages and controls.

SPECIFICATIONS

Property		
Current Rating @12-14V, A		3
Life @ Rated Load, Cycles	Inductive	10,000
	Resistive	75,000
Operating Temperature, °F		-20 to +150
Max Pre-travel, inches		.155

ENVIRONMENTAL RATINGS

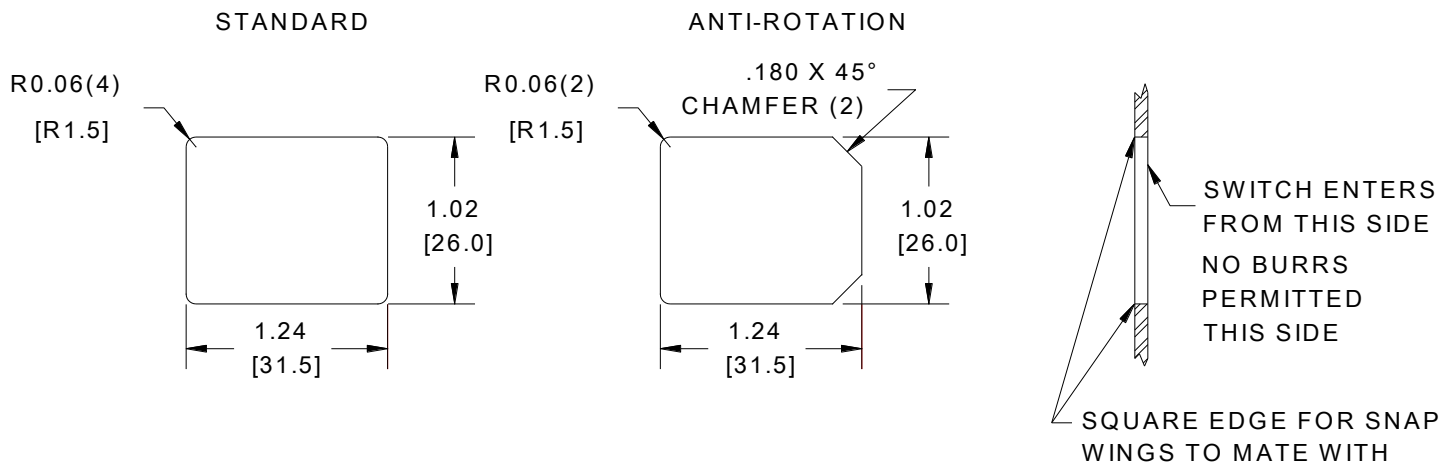
Exposure	Specification
Salt Fog	ASTM B117, 96 Hours
Chemical Resistance	ASTM Ref C Fuel, Diesel Fuel, Oil, Antifreeze, Freon, Paint, Latex, Gasoline, Gas with 10% ethanol, WD-40, Battery Acid, Ammoniated Glass Cleaner, Kerosene, Go Jo, Fertilizer

AVAILABLE CONFIGURATIONS

Part Number	Electrical Configuration	Connecter	Actuation Force @ Deflection
6444-602	NO/NO	Delta 96545, 96546	4.5 - 7.5 lb. @ .400"
6444-603	NC/NC	Delta 96545, 96546	4.5 - 7.5 lb. @ .400"
6444-653	NC/NO	Delta 96545, 96546	4.5 - 7.5 lb. @ .400"
6444-683	NC/NC	Delta 96545, 96546	4.5 - 7.5 lb. @ .400"
6444-53FR*	NC/NO	Delta 96545, 96546	2.9 – 6.3 lb. @ .400"
6444-82	NO/NO	Delta 96549	2.9 – 6.3 lb. @ .400"
6444-83	NC/NC	Delta 96549	2.9 – 6.3 lb. @ .400"
6444-02	NO/NO	Delta 96545, 96546	2.9 – 6.3 lb. @ .400"
6444-03	NC/NC	Delta 96545, 96546	2.9 – 6.3 lb. @ .400"
6444-53	NC/NO	Delta 96545, 96546	2.9 – 6.3 lb. @ .400"
6444-51	NC	Delta 96545, 96546	2.9 – 6.3 lb. @ .400"
6444-52	NO	Delta 96545, 96546	2.9 – 6.3 lb. @ .400"

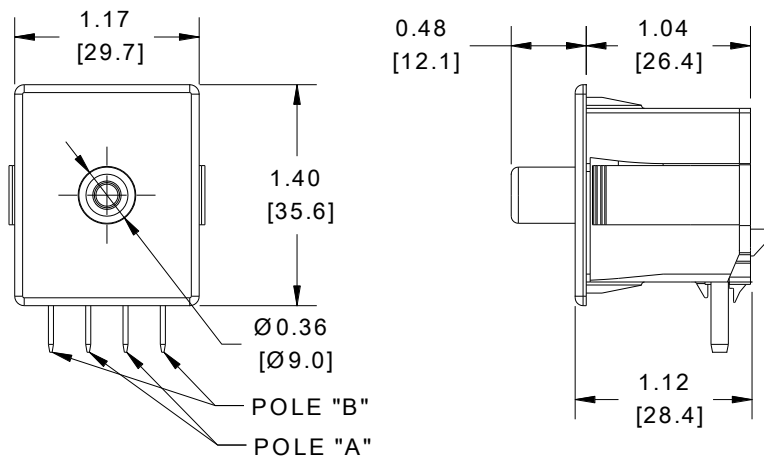
* Recognized component to UL583 (File # AU3028)

MOUNTING



Designed for panel thicknesses up to .060, .085, and .105, including paint and other coverings applied to panel

DIMENSIONS



ACCESSORIES

Item #	Manufacturer	Description
96545(-BK/-GY)	Delta Systems	Connector Housing, 1-Pole Shorting
96546(-BK/-GY)	Delta Systems	Connector Housing, Non-Shorting
96549-OL	Delta Systems	Connector Housing, 2-Pole Shorting
12034046	Delphi	Terminal, 18-20 Gage Wire
12066214	Delphi	Terminal, 14-16 Gage Wire

Note: Life expectancy and performance are largely dependent on application. It is the user's responsibility to determine suitability of this product for the application. This information is intended as a guide for proper application.