

- ✓ Screw or bolt mount configuration is easy to design into your products
- ✓ Offered with one or two independent electrical circuits
- ✓ Wiping-action internal contacts self-clean to prevent carbon buildup and increase life

## OPERATION

Delta's plunger switches are used in rugged environments to sense the position of mechanical linkages and controls

## SPECIFICATIONS

Property		
Pre-travel, inches		.040-.150
Current Rating @12-14V, A		3
Life @ Rated Load, Cycles	Inductive	10,000
	Resistive	75,000
Operating Temperature		-20 to +150 °F
Storage Temperature		-30 to +150 °F

## ENVIRONMENTAL RATINGS

Exposure	Specification
Salt Fog	ASTM B117, 96 Hours
Chemical Resistance	ASTM Ref C Fuel, Diesel Fuel, Oil, Antifreeze, Freon, Paint, Latex, Gasoline, Gas with 10% ethanol, WD-40, Battery Acid, Ammoniated Glass Cleaner, Kerosene, Go Jo, Fertilizer

## MOUNTING

6402 series switch housings have one .260 diameter clearance hole and one .151 diameter, .126 tall post spaced .420 apart for mounting with a single screw.

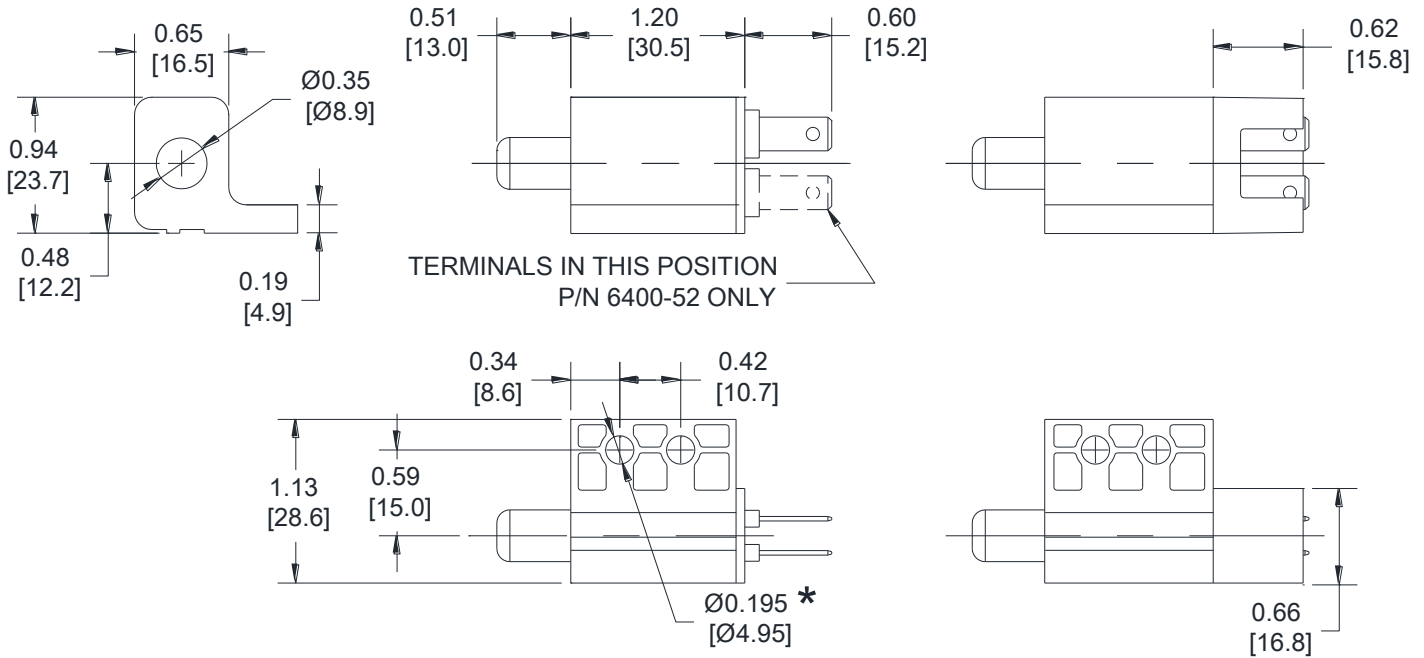
All other series switch housings have two .195 diameter clearance holes spaced .420 apart for bolt or screw mounting, except for 6400-31, which has two .166 diameter clearance holes spaced .420 apart for bolt or screw mounting.

### DIMENSIONS

6400 / 6405 Series

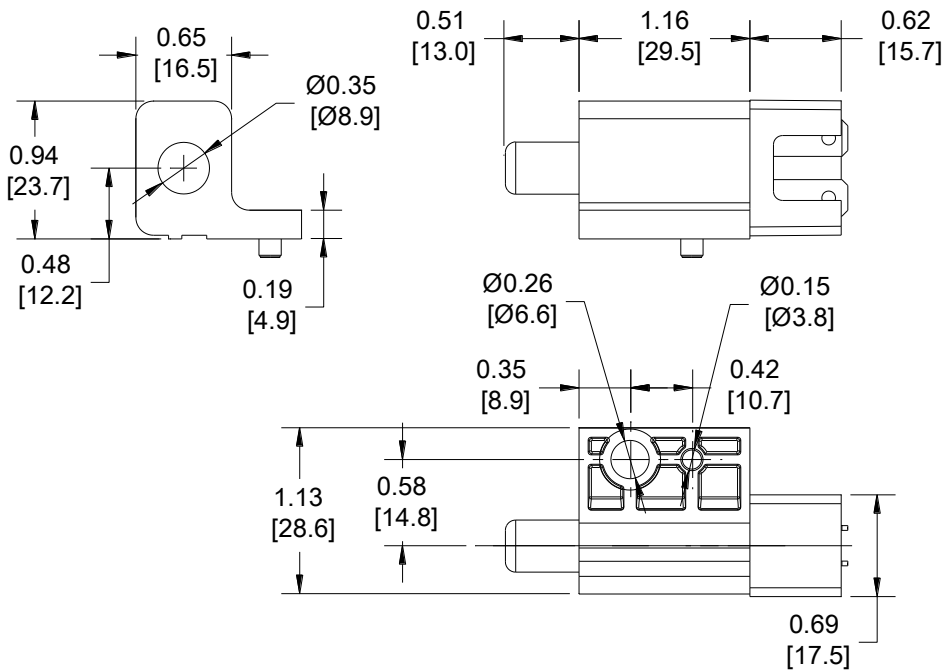
One Pole

Two Pole



\* NOTE: 6400-31 only has a nominal mounting hole size of  $\text{Ø}0.166$  [ $\text{Ø}4.20$ ]

6402 Series

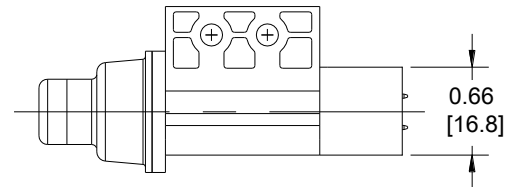
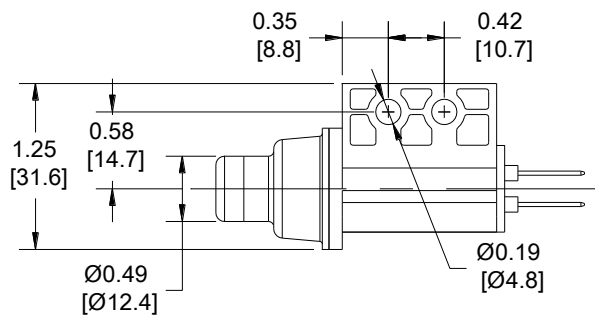
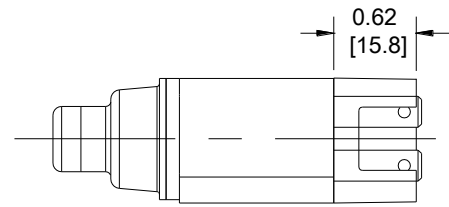
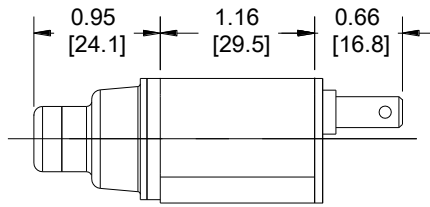
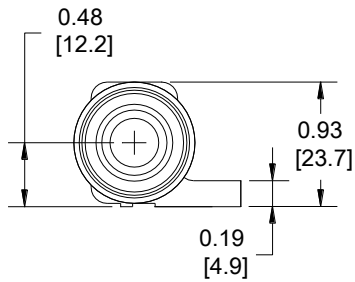


**DIMENSIONS (cont.)**

6410 Series

One Pole

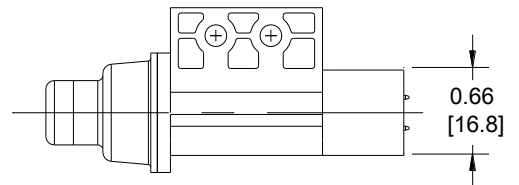
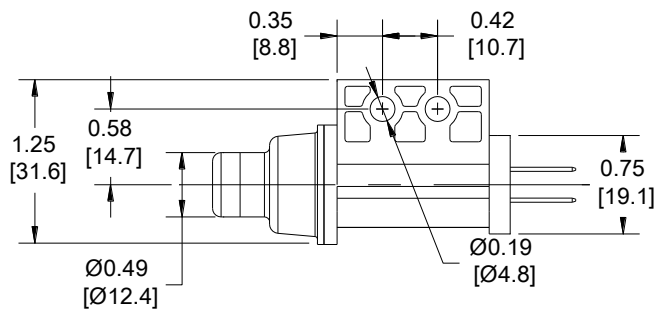
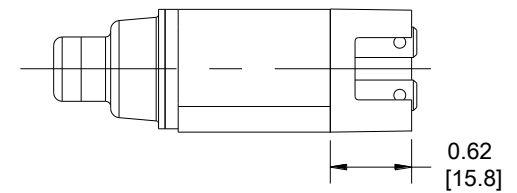
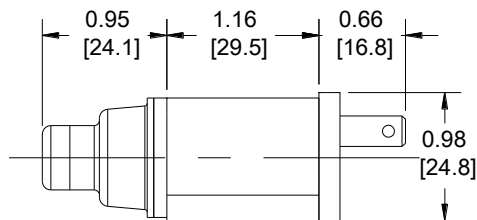
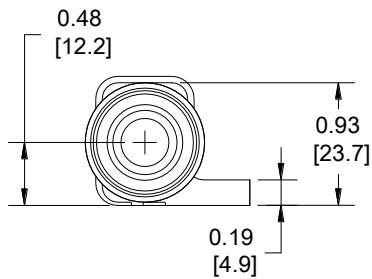
Two Pole



6420 Series

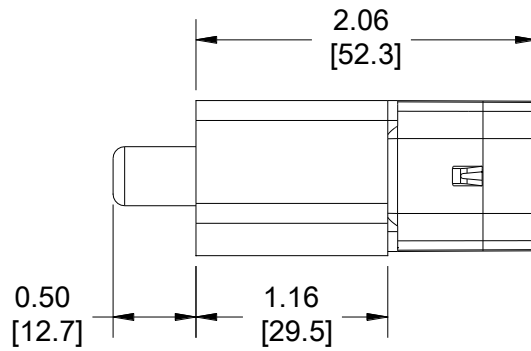
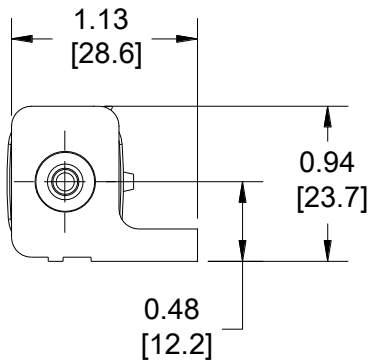
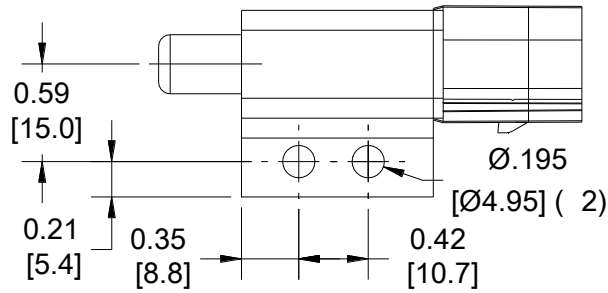
One Pole

Two Pole

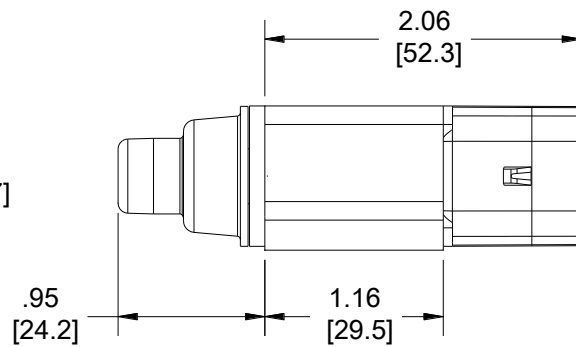
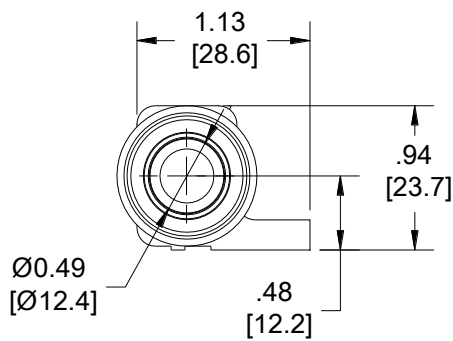
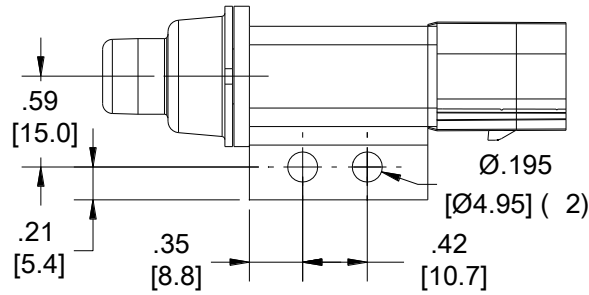


**DIMENSIONS (cont.)**

6460 Series



6470 Series



## AVAILABLE CONFIGURATIONS

Part Number	Electrical Configuration	Mating Connector	Environmental Rating
6400-02	NO/NO	Delphi 2977048	Unsealed
6400-03	NC/NC	Delphi 2977048	Unsealed
6400-31	NC	Delphi 2973872	Unsealed
6400-51	NC	Delphi 2973872	Unsealed
6400-52	NO	Delphi 2973872	Unsealed
6400-53	NO/NC	Delphi 2977048	Unsealed
6400-54	NO	Delphi 2973872	Unsealed
6400-87	NC	Delphi 2973872	Unsealed
6400-88	NO	Delphi 2973872	Unsealed
6402-53	NO/NC	Delphi 2977048	Unsealed
6405-53	NO/NC	Delphi 2977048	Splash-proof Connector
6410-02	NO/NO	Delphi 2977048	Splash-proof Plunger
6410-03	NC/NC	Delphi 2977048	Splash-proof Plunger
6410-51	NC	Delphi 2973872	Splash-proof Plunger
6410-53	NO/NC	Delphi 2977048	Splash-proof Plunger
6410-54	NO	Delphi 2973872	Splash-proof Plunger
6420-02	NO/NO	Delphi 2977048	Splash-proof
6420-03	NC/NC	Delphi 2977048	Splash-proof
6420-51	NC	Delphi 2973872	Splash-proof
6420-53	NO/NC	Delphi 2977048	Splash-proof
6460-53	NO/NC	Molex 33472-0801	IP67 Connector
6460-54	NC/NO	Molex 33472-0801	IP67 Connector
6470-53	NC/NO	Molex 33472-0801	IP67
6470-54	NO/NO	Molex 33472-0801	IP67

Slash-proof switches have an elastomer boot covering the opening to the switch at the plunger (splash-proof plunger) and/or encapsulating material around the terminals on the switch body (splash-proof connector).

Item #	Manufacturer	Description
9900	Delta Systems	Protective Cover

*Note: Life expectancy and performance are largely dependent on application. It is the user's responsibility to determine suitability of this product for the application. This information is intended as a guide for proper application.*