



- ✓ Mounting configuration allows for quick installation
- ✓ Offered with one, two, or three independent electrical circuits
- ✓ Wiping-action internal contacts self-clean to prevent carbon buildup and increase life

OPERATION

Delta's plunger switches are used in rugged environments to sense the position of mechanical linkages and controls

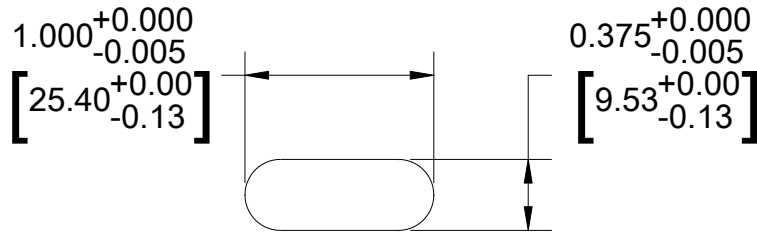
SPECIFICATIONS

| Property | | |
|---------------------------|-----------|----------------|
| Pre-travel, inches | | .040-.150 |
| Current Rating @12-14V, A | | 3 |
| Life @ Rated Load, Cycles | Inductive | 10,000 |
| | Resistive | 75,000 |
| Installation Temperature | | 55° to 100°F |
| Operating Temperature | | -20 to +150 °F |
| Storage Temperature | | -30 to +150 °F |

ENVIRONMENTAL RATINGS

| Exposure | Specification |
|---------------------|--|
| Salt Fog | ASTM B117, 96 Hours |
| Chemical Resistance | ASTM Ref C Fuel, Diesel Fuel, Oil, Antifreeze, Freon, Paint, Latex, Gasoline, Gas with 10% ethanol, WD-40, Battery Acid, Ammoniated Glass Cleaner, Kerosene, Go Jo, Fertilizer |

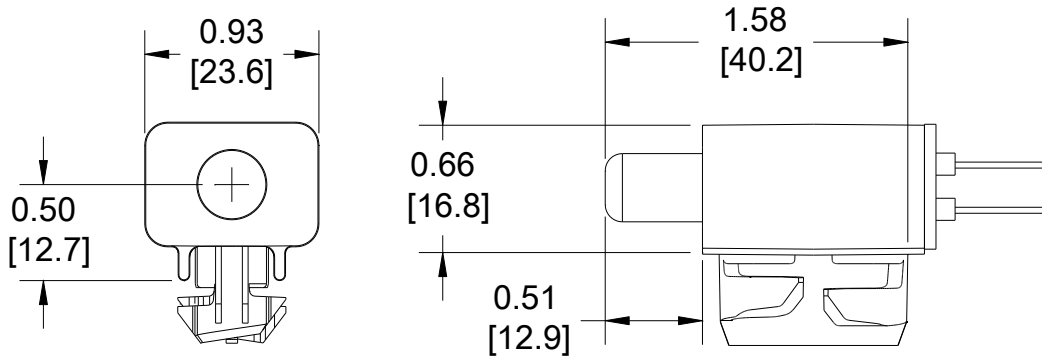
MOUNTING



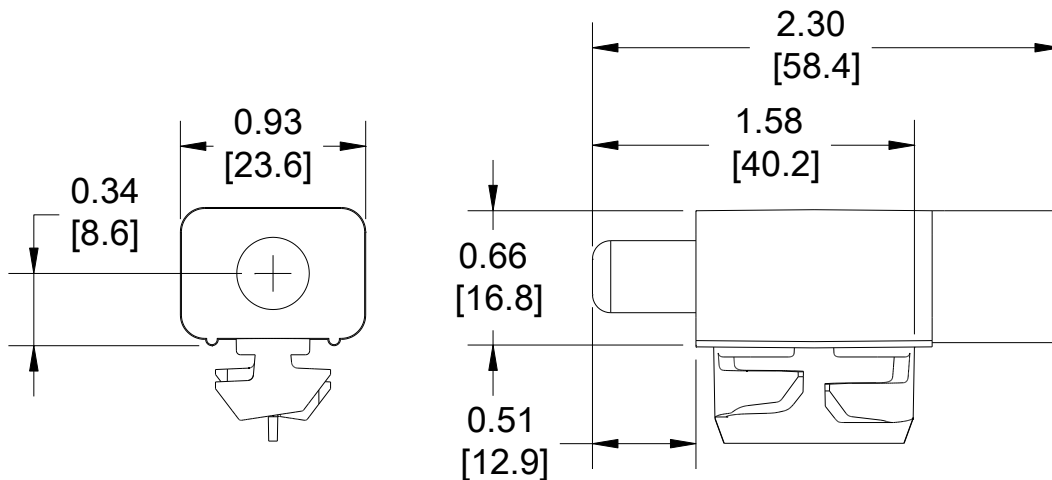
6300 and 6400 series switches mate with .108 and .170 thick panels
 6301 and 6401 series switches mate with 2mm and 5mm thick panels
 Panel thicknesses include paint, overlays, decals and any other coverings
 A square edge is required on the wing retention side of the mounting slot

DIMENSIONS

One Pole

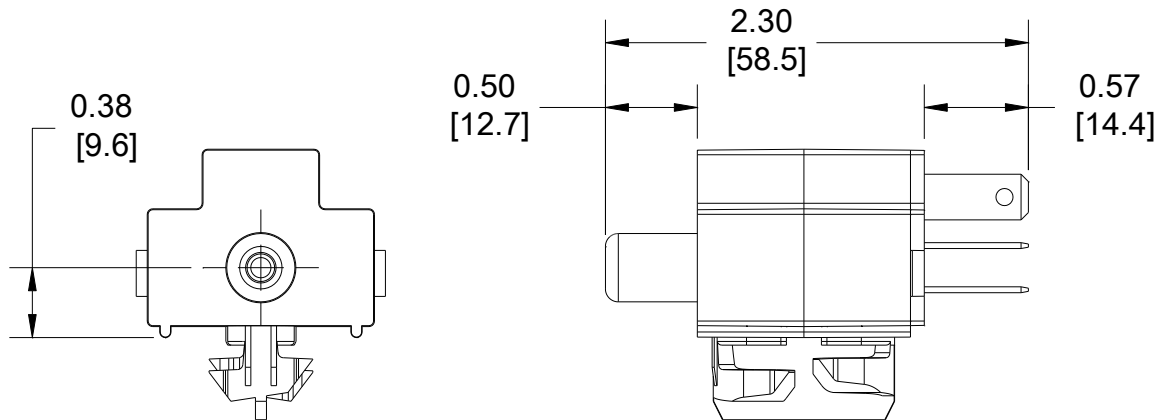


Two Poles



DIMENSIONS (cont.)

Three Poles



AVAILABLE CONFIGURATIONS

| Part Number | Electrical Configuration | Mating Connector |
|-------------|--------------------------|------------------|
| 6300-001 | NO/NC/NC | Delta 972367 |
| 6300-002 | NC/NC/NC | Delta 972367 |
| 6300-003 | NO/NO/NO | Delta 972367 |
| 6300-004 | NC/NO/NO | Delta 972367 |
| 6301-001 | NO/NC/NC | Delta 972367 |
| 6301-002 | NC/NC/NC | Delta 972367 |
| 6400-20 | NO | Delphi 2973872 |
| 6400-82 | NO | Delphi 2973872 |
| 6400-84 | NO/NC | Delphi 2977048 |
| 6400-85 | NO/NO | Delphi 2977048 |
| 6400-86 | NC/NC | Delphi 2977048 |
| 6400-95 | AC/NO | Delphi 2977048 |
| 6401-64 | NC/NO | Delphi 2977048 |
| 6401-65 | NO/NO | Delphi 2977048 |
| 6401-66 | NC/NC | Delphi 2977048 |

ACCESSORIES

| Item # | Manufacturer | Description |
|---------|--------------|------------------------|
| 972367 | Delta | Connector Housing |
| 2965510 | Delphi | Terminal, 18 Gage Wire |
| 2965867 | Delphi | Terminal, 16 Gage Wire |
| 9913 | Delta | Protective Cover |

Note: Life expectancy and performance are largely dependent on application. It is the user's responsibility to determine suitability of this product for the application. This information is intended as a guide for proper application.