

- ✓ Tactile feedback
- ✓ Fully sealed design
- ✓ Easy to install and connect

Operation

Delta's momentary switches contain snap action domes for excellent tactile feedback. Buttons have up/down or right/left buttons depending on switch orientation. Exiting wires are encapsulated. Switch body has threads for nut mounting.

Available Configurations

Part Number	Termination
7100-07	(3) 11" Stripped Leads
7100-17	(3) 10" Leads with TE Connectivity 282109-1 Terminals

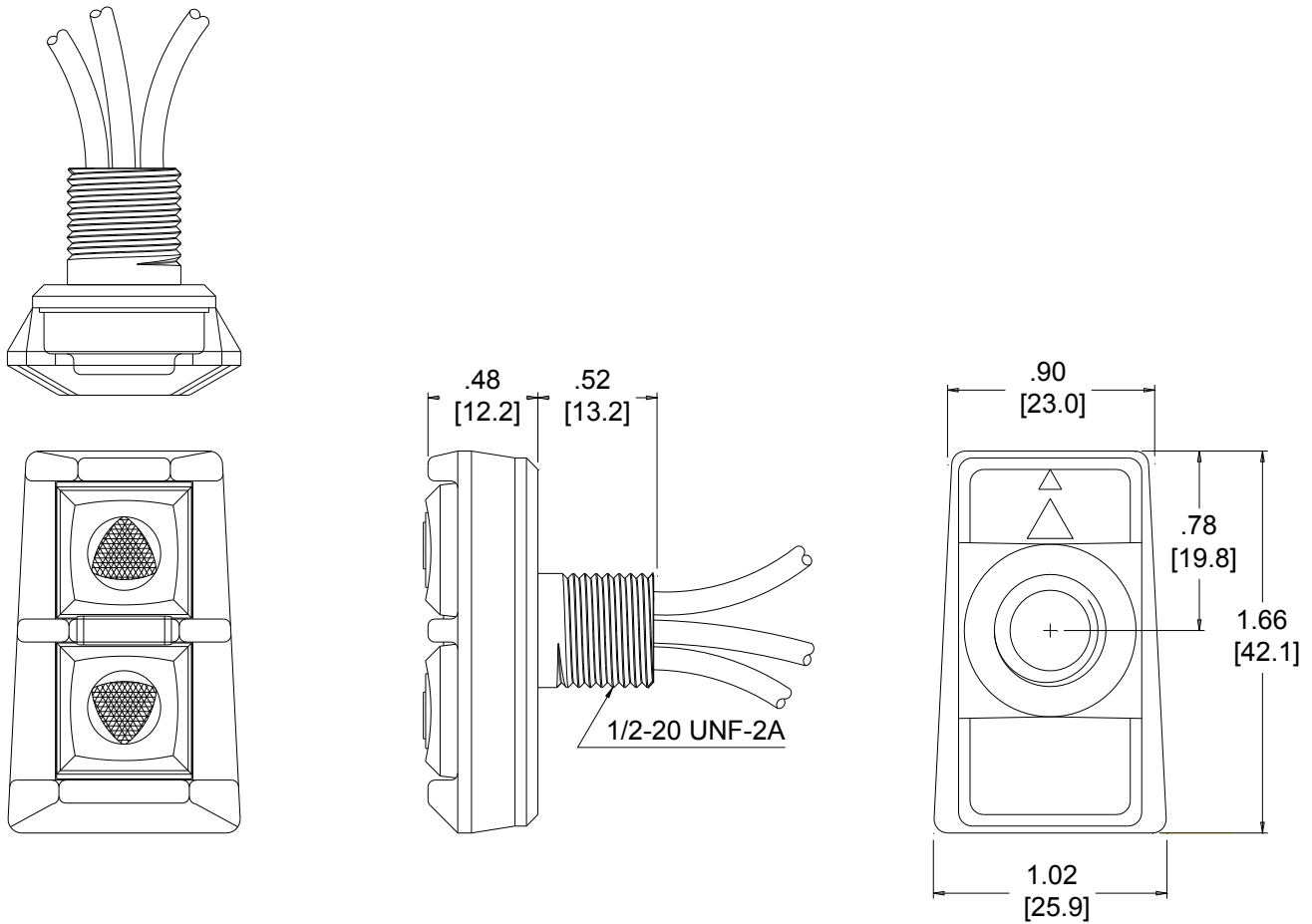
Specifications

Property	
Switch Resistance, Closed, ohms	<0.1 (not including wire)
Switch Resistance, Open, megaohms	>10
Max Operating Voltage, VDC	15 VDC
Max Current @ 12-15 VDC, mA	300
Contact Resistance @ Max Load, milliohms	50
Leakage Current @ 12 VDC, μ A	50
Cycle Life @ 300 mA (inductive)	100,000
Trip Force, lbs	3.75 \pm 1

Environmental Ratings

Exposure	Specification
Salt Fog	ASTM B117 , 96 hours
Dust / Water Ingress	IEC 60529, IP67

Dimensions



Note: Life expectancy and performance are largely dependent on application. It is the user's responsibility to determine suitability of this product for the application. This information is intended as a guide for proper application.