



- ✓ Two, three, and four positions
- ✓ Nut and snap mount available
- ✓ Variety of standard circuit configurations available
- ✓ Custom circuit configurations available (minimum order required)
- ✓ Customizable graphics on snap mount switches (minimum order required)

Operation

Delta's rotary ignition switches are used to start and stop small internal combustion engines and electric vehicles and to switch accessories on and off by controlling the make and break of up to seven connections. Switch actuation is by a non-coded key, available from Delta.

Specifications

Property		
Continuous Current Rating	@ 12-14 VDC, A	20
	@ 56-60 VDC, A	5
Life, 5A @ 12-14 VDC	Inductive	10,000 cycles
	Resistive	50,000 cycles
Life, 400mA @ 48-50 VDC	Resistive	50,000 cycles
Key Insertion Force, lbs		4
Key Turning Torque, in-lbs		40
Maximum Key Torque @ Stops, in-lbs		20
Installation Temperature, °F		55 to 100
Operating Temperature, °F		-10 to 150
Storage Temperature, °F		-40 to 180

Environmental Ratings

Exposure	Specification
Salt Fog	ASTM B117, 96 hours exposure
Dust / Water Ingress	IEC 60529, IP55 (front), IP53 (back)
Chemical Resistance	ASTM Ref C Fuel, Diesel Fuel, Oil, Antifreeze, Freon, Paint, Latex, Gasoline, Gas with 10% ethanol, WD-40, Battery Acid, Ammoniated Glass Cleaner, Kerosene, Go Jo, Fertilizer

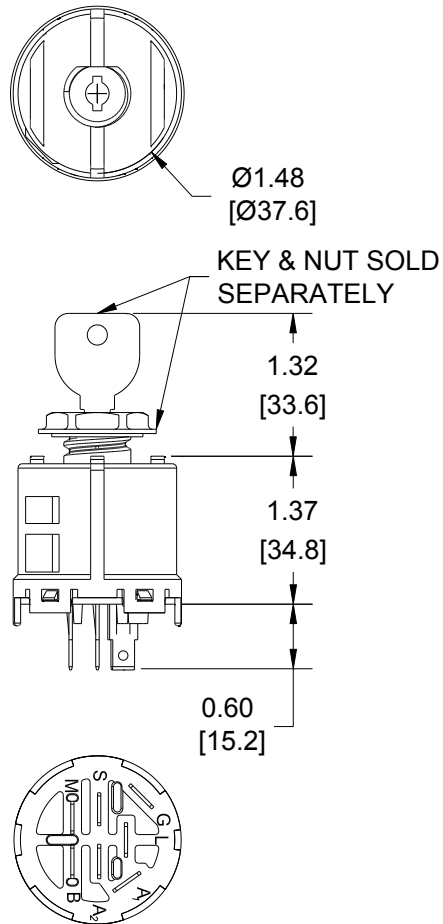
Available Configurations

P/N	Mount	Keyway	Graphic	0	45	85-95	135	# Positions	Connector
6850-21	Nut	Plastic	None	M + G	N/A	Open	N/A	2	Delphi 2973872
6850-22	Nut	Plastic	None	Open	N/A	M + G	N/A	2	Delphi 2973872
6850-24	Nut	Plastic	None	M + G + A1	N/A	B + A1	N/A	2	Delta 972311
6850-31	Nut	Plastic	None	M + G	L + B	B + S	N/A	3	Delphi 2973422
6850-36	Nut	Plastic	None	M + G	L + B + A	L + B + S	N/A	3	Delphi 2973422
6850-37	Nut	Plastic	None	M + G	L + B	L + B + S	N/A	3	Delphi 2973422
6850-47	Nut	Plastic	None	M + G + A1	B + A1, L + A2	B + A1	B + S + A1	4	Delta 972311
6900-21	Snap	Plastic	None	M + G	N/A	Open	N/A	2	Delphi 2973872
6900-21P	Snap	Plastic	Printed	M + G	N/A	Open	N/A	2	Delphi 2973872
6900-22*	Snap	Plastic	None	Open	N/A	M + G	N/A	2	TE Connectivity 521120-1
6900-31P	Snap	Plastic	Printed	M + G	L + B	B + S	N/A	3	Delphi 2973422
6900-36M	Snap	Plastic	Molded	M + G	L + B + A	L + B + S	N/A	3	Delphi 2973422
6900-37	Snap	Plastic	None	M + G	L + B	L + B + S	N/A	3	Delphi 2973422
6900-37M	Snap	Plastic	Molded	M + G	L + B	L + B + S	N/A	3	Delphi 2973422
6900-37P	Snap	Plastic	Printed	M + G	L + B	L + B + S	N/A	3	Delphi 2973422
6900-46	Snap	Plastic	None	M + G	L + B	Open	B + S	4	Delphi 2973422
6900-46M	Snap	Plastic	Molded	M + G	L + B	Open	B + S	4	Delphi 2973422
6900-46P	Snap	Plastic	Printed	M + G	L + B	Open	B + S	4	Delphi 2973422
6900-47	Snap	Plastic	None	M + G + A1	B + A1, L + A2	B + A1	B + S + A1	4	Delta 972311
6900-47M	Snap	Plastic	Molded	M + G + A1	B + A1, L + A2	B + A1	B + S + A1	4	Delta 972311
6900-47P	Snap	Plastic	Printed	M + G + A1	B + A1, L + A2	B + A1	B + S + A1	4	Delta 972311
6900-47PG	Snap	Plastic	Printed	M + G + A1	B + A1, L + A2	B + A1	B + S + A1	4	Delta 972311
6900-49M1	Snap	Plastic	Molded	M + G + A1	B + A1	B + A1, L + A2	B + S + A1	4	Delta 972311
6900-49P1	Snap	Plastic	Printed	M + G + A1	B + A1	B + A1, L + A2	B + S + A1	4	Delta 972311
6900-49P2	Snap	Plastic	Printed	M + G + A1	B + A1	B + A1, L + A2	B + S + A1	4	Delta 972311
6901-37	Snap	Metal	None	M + G	L + B	L + B + S	N/A	3	Delphi 2973422
6901-37P	Snap	Metal	Printed	M + G	L + B	L + B + S	N/A	3	Delphi 2973422
6901-47	Snap	Metal	None	M + G + A1	B + A1, L + A2	B + A1	B + S + A1	4	Delta 972311
6901-47P	Snap	Metal	Printed	M + G + A1	B + A1, L + A2	B + A1	B + S + A1	4	Delta 972311
6901-47P2	Snap	Metal	Printed	M + G + A1	B + A1, L + A2	B + A1	B + S + A1	4	Delta 972311

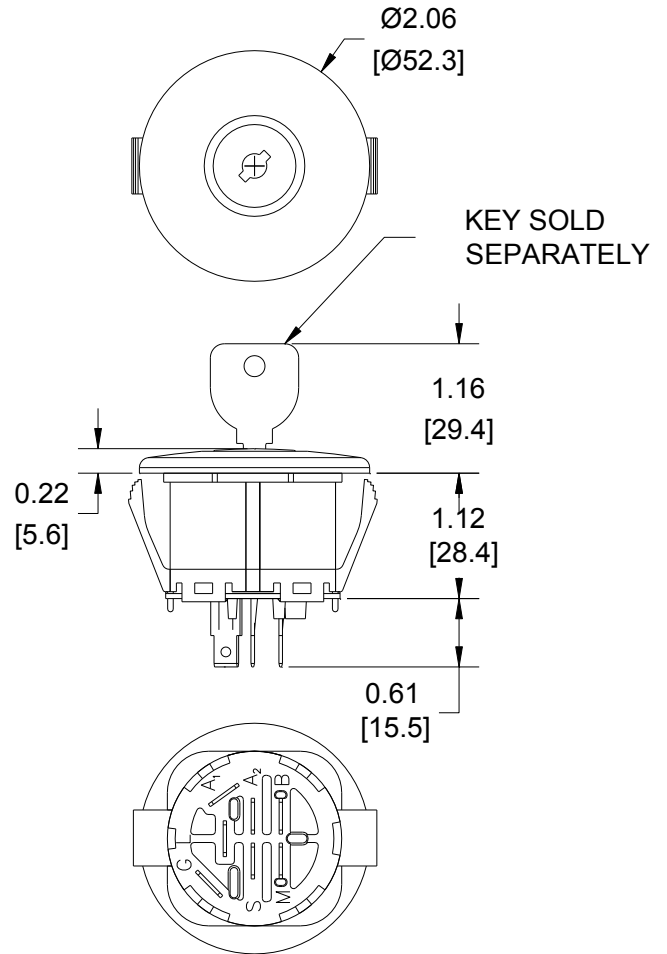
* Listed to UL 1054 (E319443)

Dimensions

6850 Series



6900/6901 Series

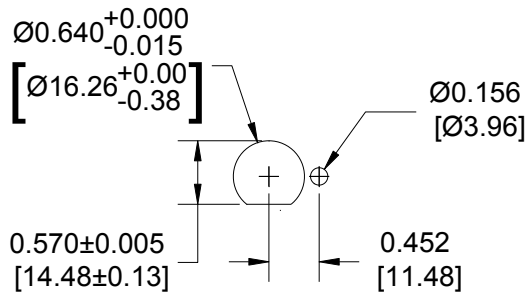


Connection

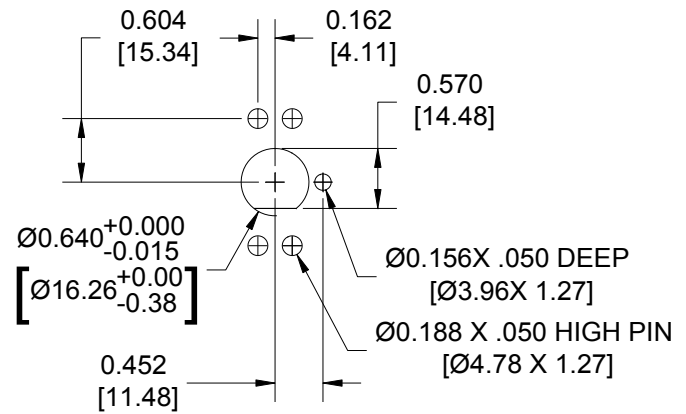
Switches have integral 1/4" spade terminals. 2-terminal switches mate with Delphi P/N 02973872 and TE Connectivity P/N 521120-1 connectors. 5-terminal switches mate with Delphi P/N 02973422 connectors. 6- and 7-terminal switches mate with Delta P/N 972311 connectors (see Accessories section).

Mounting (6850 Series)

Metal Panel



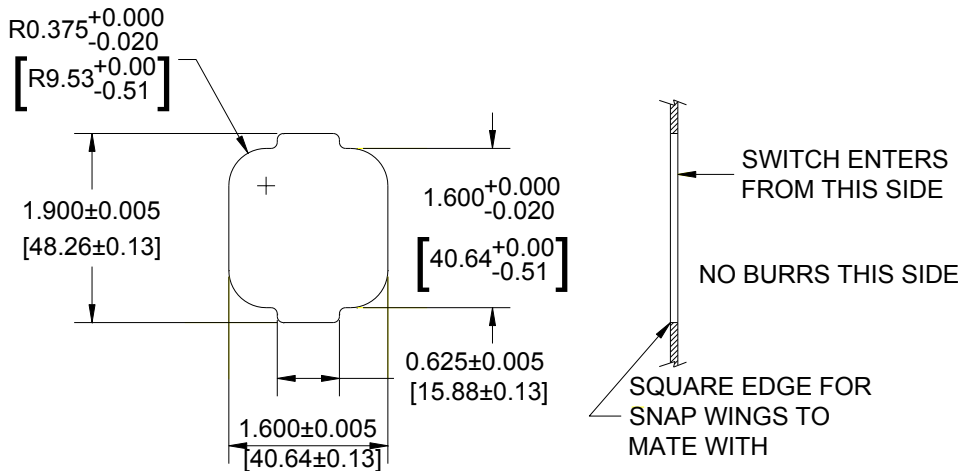
Plastic Panel



Use pinned washer 9260 for rotation keying (see Accessories section)

Panel thickness is .07 to .19 with a 9256 nut and .05 to .17 with a 9752 nut (see Accessories section)

Mounting (6900 Series)



Recommended panel thicknesses are .048 max, .060 max, .105 max, and .165 max, including paint, decals, etc.

Accessories

Item #	Manufacturer	Description
9252	Delta Systems	Plastic Nut, .05-.17 Panel Thickness
9256	Delta Systems	Plastic Nut, .07-.19 Panel Thickness
9260	Delta Systems	Pinned Washer, .100 Max Panel Thickness
972311	Delta Systems	Connector, 7-Position
688S-STD	Delta Systems	Key, Standard
688S-001	Delta Systems	Key, Standard with Ring
688P-STD	Delta Systems	Key, Overmolded

Note: Life expectancy and performance are largely dependent on application. It is the user's responsibility to determine suitability of this product for the application. This information is intended as a guide for proper application.