



MURPHY®

by **ENOVATION** CONTROLS

NEW LARGE DISPLAY BRINGS CAR-LIKE TECHNOLOGY TO RUGGED APPLICATIONS

POWERSVIEW® 1100

Pending Q3 Release



Boasts high-speed processor and high-definition display

Large 10.6-inch display features rich color graphics

Offers complete connectivity with Bluetooth, Wi-Fi and more

Stereo functionality built-in for streamlined cab experience



Murphy brings a whole new experience to your applications with the PowerView 1100. This large 10.6-inch display features a high-speed processor that allows you to bring even more into your application. In addition to providing vital engine information, the PV1100 packs an infotainment hub in the cab with media playback from your phone via USB. It also boasts AM/FM stereo, Bluetooth and Wi-Fi connectivity.

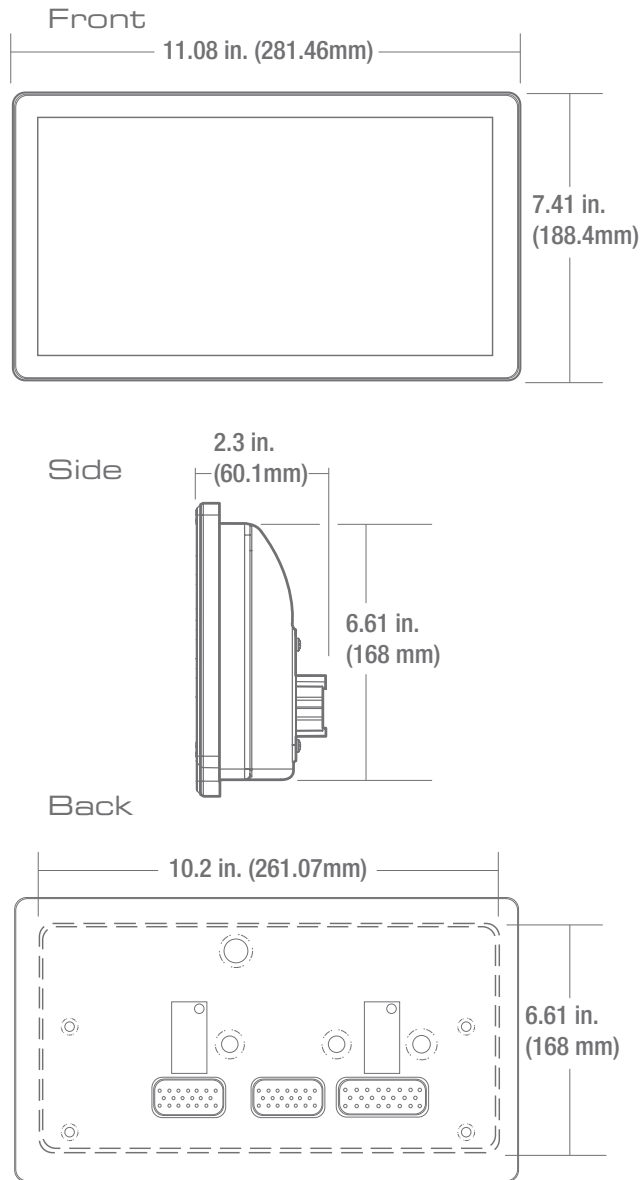
The full-featured, configurable display integrates engine, transmission and diagnostic information into an easy-to-read operator interface.

The 10.6-inch screen, with glove touch, can easily be viewed, even in full sunlight. The display's bonded LCD and rugged design make it a perfect solution for all types of environments and applications. The PV1100 is available in portrait or landscape configurations.

Customization of the display can be accomplished quickly via graphical programming or scripting with the PowerVision Configuration Studio® software.

POWerview® 1100

DIMENSIONS



SPECIFICATIONS

COMPUTING:

- Main Processor: Renesas R-Car M2, 32 Bit Arm Cortex A15 Processor @ 1.5 GHz,
- Operating System: QNX® Realtime Operating System
- Storage: 8 GB Flash memory
- RAM: 512 MB DDR3-SDRAM
- Graphics: PowerVR SGX544MP2 (3D) (Option)
Renesas graphics processor (2D)

DISPLAY:

- Type: 10.6" (231.36 mm (H) x 138.82 mm (V)) LVDS TFT LCD with LED backlight
- Color: 24-Bit color
- Resolution: 1280 x 768x
- Contrast Ratio: Typ. 1000:1
- Brightness: 1000 cd/m²
- Surface: Anti-glare, hard-coating
- Touch Panel: Projected capacitive (PCAP) with Glove touch

HARDWARE:

- Real Time Clock: Available with Li-Ion battery backup
- Connectors: (2) Ampseal 23 pin (Main)
(1) Ampseal 35 pin (Stereo)
(1) M12, 5-pin (Ethernet)
(1) USB pigtail
(1) Radio Antenna Jack
- Video Inputs: (3) NTSC/PAL

COMMUNICATION:

- CAN: (2) CAN 2.0B according to ISO-11898-2; J1939 and CANopen; proprietary messaging
- Serial: RS-485 serial (Modbus: Master/Slave)
- USB: USB 2.0 Full Speed Host
- Ethernet: Ethernet 10/100 Base-T
- Wi-Fi: 802.11 b/g radio
- Bluetooth: Fully Integrated Bluetooth 2.1, Class 1

ELECTRICAL:

- Operating Voltage: 6 – 36 VDC, Reverse polarity protected
- Outputs: (1) 500mA Switched Low-side
(1) Frequency Output (2Hz – 3KHz)
- Inputs: (3) Analog 0 – 5 VDC, 4-20mA, Resistive, 10-bit resolution
(5) Discrete digital, active-high
(1) Frequency In (2Hz – 10kHz) 5V pk-pk min, 120Vpk-pk max

INFOTAINMENT:

- Stereo output (20Hz – 20KHz)
 - (1) Subwoofer (configurable, 30Hz – 250Hz)
 - (2) Auxiliary Inputs
 - (3) Amp Turn On/Accessory
- FM Tuner: Frequency Range: 87.9 MHz to 107.9 MHz
Usable Sensitivity: 16 dBµV typical @ 26 dB SINAD
50dB Quieting Sensitivity: 14 dBµV
Alternate Channel Selectivity: 70 dB
Stereo Separation: 35 dB (1 kHz)
Frequency Response: 30 Hz to 15 kHz
- AM Tuner: Frequency Range: 530 kHz to 1710 kHz
Usable Sensitivity: 50 dBµV
- WX Tuner: Frequency Range: 162.4 MHz to 162.55 MHz
Usable Sensitivity: 20 dBµV @ SINAD 12dB
- USB Media: MP3, M4A Playback
- Bluetooth: Audio streaming

ENVIRONMENTAL:

- Operating and Storage Temperature: -40C to +85C [-40F to +185F]
- Protection: IP66 and IP67, front and back, for outdoor use
- Vibration: 7.86 Grms (5 – 2000Hz), 3 axes
- Shock: ±50G in 3 axes
- EMC/EMI: SAEJ1113, ISO13766, E-mark (ECE R10.5), EN13309, EN 14982, CE per 2014/30/EU, FCC part 15

ENOVATION CONTROLS CORPORATE HEADQUARTERS
5311 S 122ND EAST AVENUE
TULSA, OK 74146

ENOVATION CONTROLS LTD. – UNITED KINGDOM
CHURCH ROAD LAVERSTOCK
SALISBURY SP1 1QZ UK

MURPHY INTERNATIONAL TRADING – CHINA
SUITE 1704, ANTAI BUILDING, 107 ZUNYI RD
SHANGHAI, 2000 S1 CHINA

ENOVATION CONTROLS INDIA PVT. LTD.
301, 3RD FLOOR, KRSNA CHAMBERS,
11 GALAXY GARDENS, NORTH MAIN ROAD,
KOREGAON PARK, PUNE 411001,
MAHARASHTRA, INDIA

U.S. SALES & SUPPORT

MURPHY PRODUCTS
PHONE: 918 317 4100
EMAIL: SALES@ENOVATIONCONTROLS.COM
WWW.ENOVATIONCONTROLS.COM

MURPHY INDUSTRIAL PANEL DIVISION
PHONE: 918 317 4100
EMAIL: IPDSALES@ENOVATIONCONTROLS.COM

INTERNATIONAL SALES & SUPPORT

EUROPE, MIDDLE EAST, AFRICA
PHONE: +44 1722 410055
EMAIL: SALES@ENOVATIONCONTROLS.EU

CHINA
PHONE: +86 21 6237 5885
EMAIL: APSALES@ENOVATIONCONTROLS.COM

LATIN AMERICA & CARIBBEAN
PHONE: +1 918 317 2500
EMAIL: LASALES@ENOVATIONCONTROLS.COM

INDIA
PHONE: +91 91581 37633
EMAIL: INDIASALES@ENOVATIONCONTROLS.COM



FM 28221 (Tulsa, OK - USA)
FM 29422 (UK)